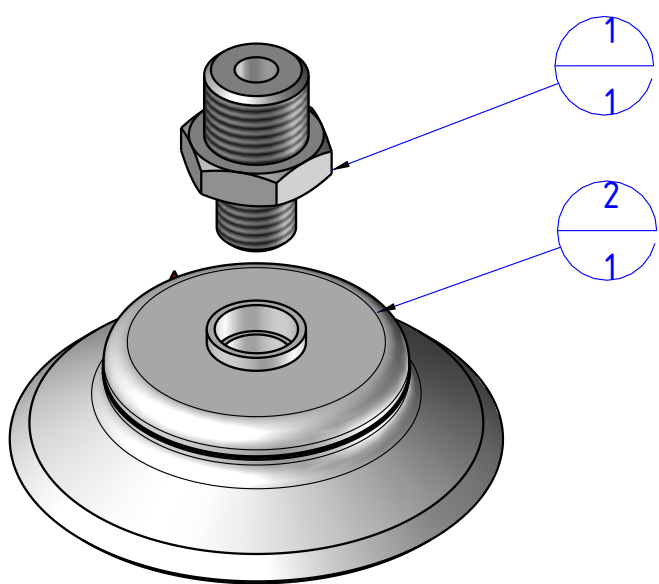
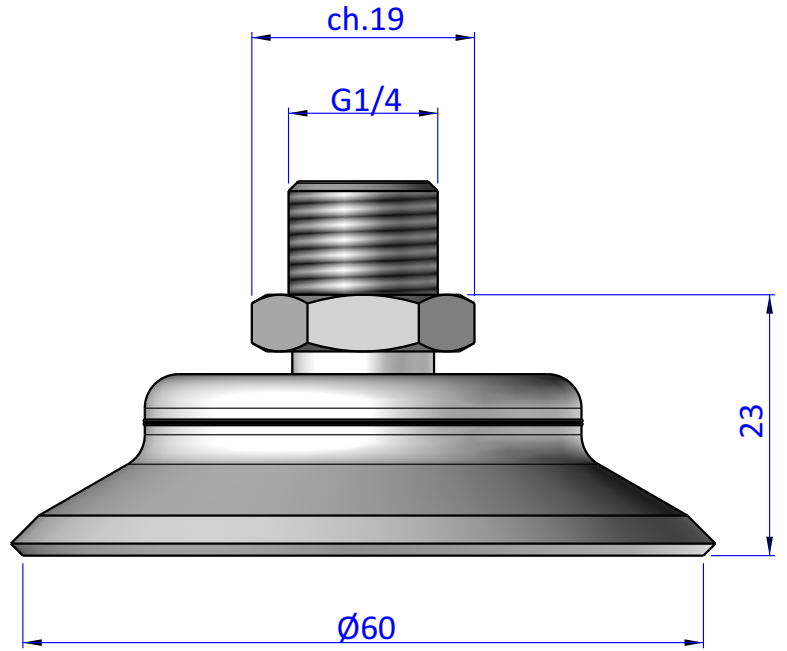

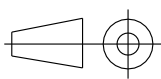


THE PROPERTY OF THE DRAWING IS ESTABLISHED BY LAW. IT IS FORBIDDEN TO PRODUCE OR SHOW IT TO THIRD PART. WITHOUT A WRITTEN AGREEMENT.

Item	Name	Q.ty
1	CA.08.09.019	1
2	CA.08.28.012	1



Format A4 UNI 936-76	 FPS SERVICES AUTOMATION			DESIGNED FROM FPS Automation	REVIEW A	
	GENERAL TOLERANCE UNI - ISO 2768 CLASSE f	DESCRIPTION KIT.08.28.D60	DATE 07/01/2021	WEIGHT 0,033kg		
			CODE KIT.08.28.D60			